



**Models**  
**MGC-8D**  
**MGC-8DP**  
**MGC-9D**  
**MGC-9DP**

**MGC**  
**GAS-FIRED**  
**HOT WATER BOILERS**  
With Hydrolevel Control

**PARTS AND OPTIONAL**  
**ACCESSORIES**

Ordering Instructions

Order Parts through your nearest supplier.

When ordering parts, obtain Model Number and Serial Number from data plate on your boiler.

Include following information when ordering.

Part Number \_\_\_\_\_

Part Description \_\_\_\_\_

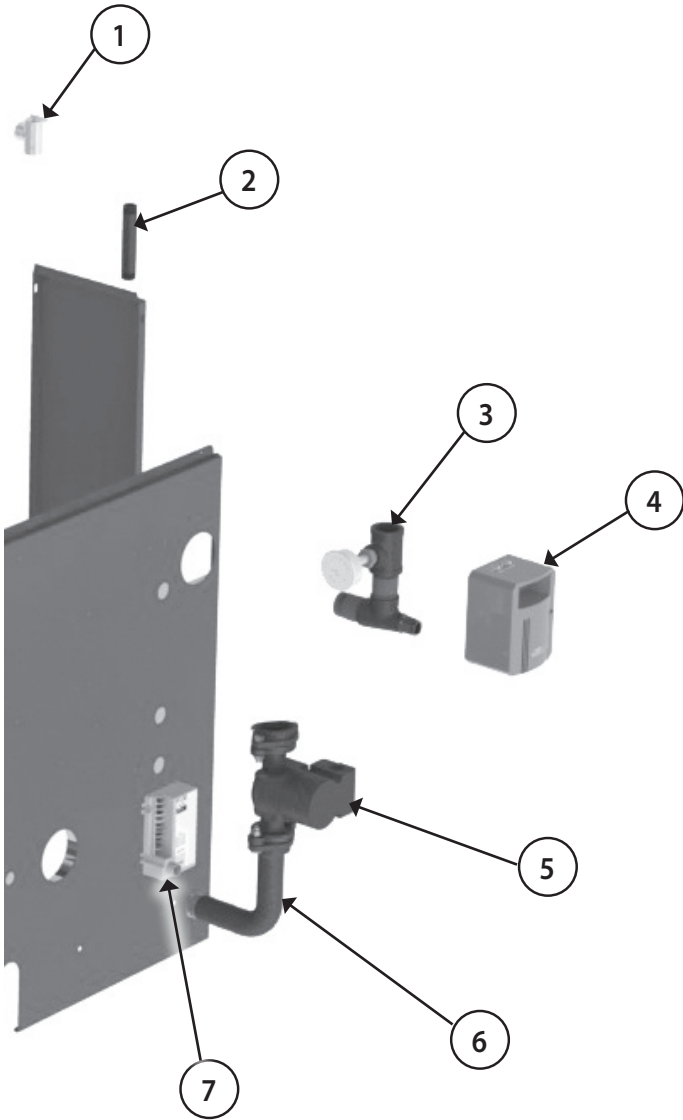
Boiler Model Number \_\_\_\_\_

Boiler Serial Number \_\_\_\_\_



**Manufactured by:**  
**ECR International, Inc.**  
2201 Dwyer Avenue, Utica NY 13501  
web site: [www.ecrinternational.com](http://www.ecrinternational.com)

**BOILER CONTROLS AND PIPING**



Key No.	Description	Part No.
1	¾" ASME Relief Valve	14622011
2	¾" x 6½" Nipple	14607002
3	3a Temperature Pressure Gauge - 2" shank	1260006SP
	3b Bushing, ¾" x ¼", Black Iron	1060002
	3c Tee, 1¼" x 1¼" x ¾", Black Iron	PF05901
	3d Adapter, 1¼" x 2½", Black Iron	14607044
	3e 1¼" x ¾" x 1¼" Tee	1510001
	3f 1¼" x 2½" Nipple	14607044
4	Hydrolevel Control	240009113
5	Grundfos Pump UP15-42F Circulator	CI006.01
	Taco Pump 007	CI-001.03
6	1¼" Bent Return Adapter	14607003
7	Intermittent Pilot Control	14662070
‡	Sensor Well	240007709
‡	Blocked Vent Safety Switch (36TX16-6282) 280°F	1500009
‡	Rollout Switch	14629002
‡	7" Vent Damper	240006939
‡	2½" x 1¼" Bushing (2 Required)	14693008
‡	2½" Plug	14693024
‡	2½" x ¾" Bushing	14693083
‡	½" Plug (3 Required)	1395003
‡	400°F Black Silicone Rubber Adhesive Sealant (10.3 oz. Cartridge)	240006837

‡ Not illustrated

**Temperature Pressure Gauge Assembly**

